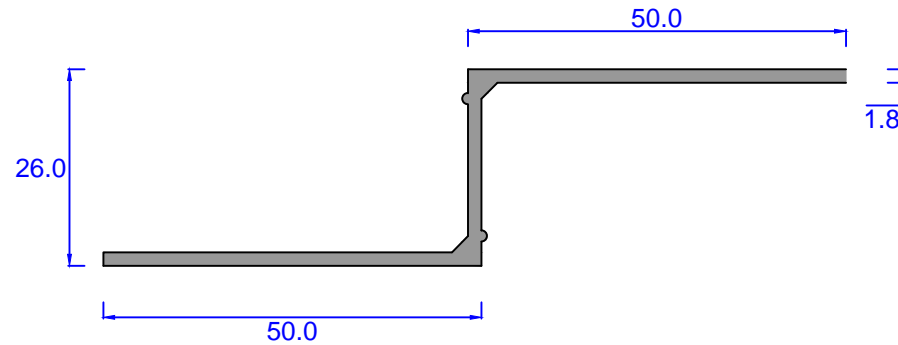


Standard & technical data
 Aluminium 6063 T6 comply with BS1474
 Tolerance comply to BS EN-755-9
 Chemical composition BS EN 573-3:2003



PlastiClad
 Cladding accessories



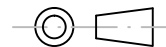
BY PLASTESTRIP PROFILES

A division of Amari Plastics plc

This drawing remains the property of Plastestrip Profiles, St Austell

Dimensions in mm

Drawn by
 GJL



Filename
 alz502650.dwg

Date
 22/01/2015

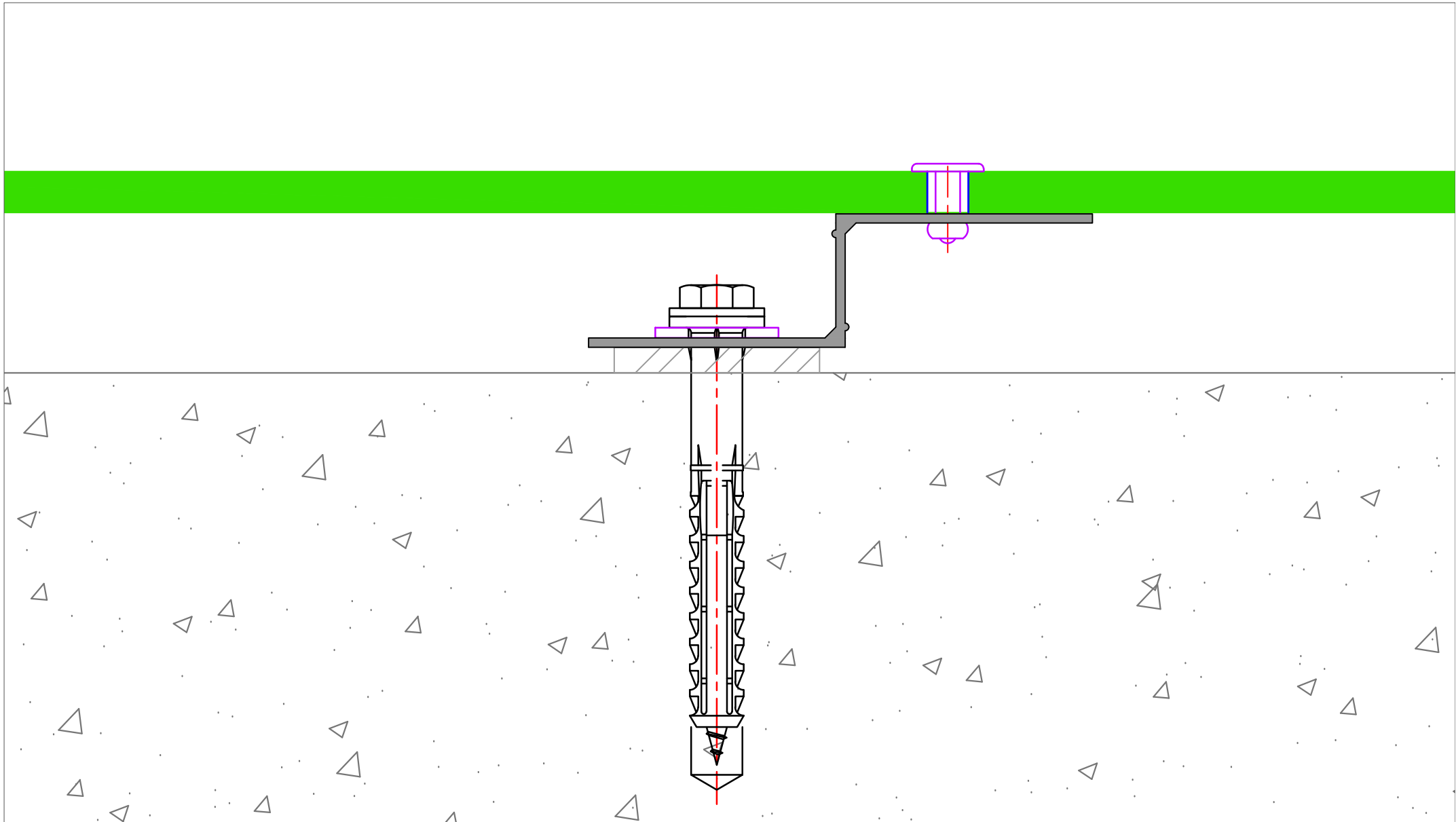
Scale
 1:1

Material: 6063 T6 Aluminium

REF: AL/Z/50/26/50

Edition
 ONE

Sheet
 1/1

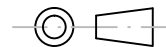


A DIVISION OF AMARI PLASTICS PLC
ALL COPYRIGHTS RESERVED

This drawing remains the property of Plastestrip Profiles, St Austell

Dimensions in mm

Drawn by
GJL



Filename
alz502650.dwg

Date
22/01/2015

Scale
1:1

Typical detail

Material: 6063 T6 Aluminium

REF: AL/Z/50/26/50

Edition
ONE

Sheet
1/1