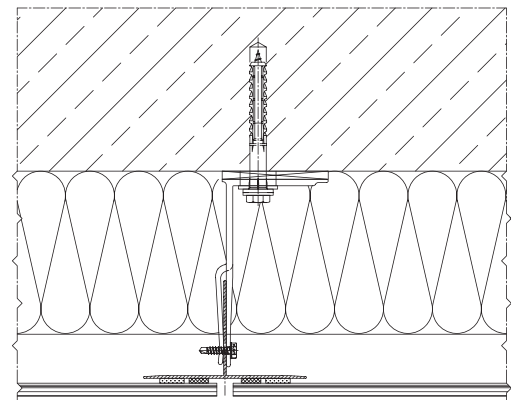
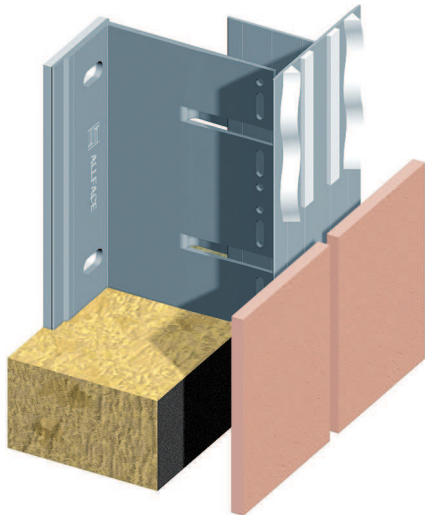


ALLFACE SYSTEM F1.30 FOR ETERNIT FACADE ELEMENTS

CONCEALED FIXING WITH ADHESIVE SYSTEM

Gluing facade panels is an economical mounting method. The panels are assembled on the properly pre-treated profiles with permanent elastic glue and with double-sided adhesive mounting tapes.

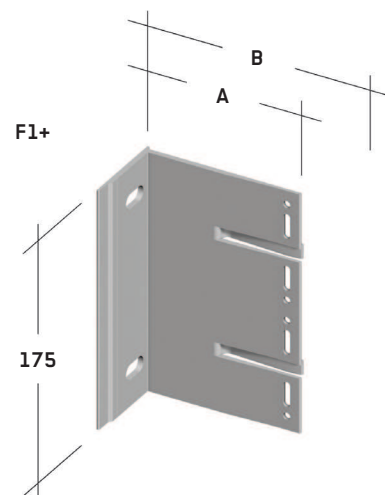
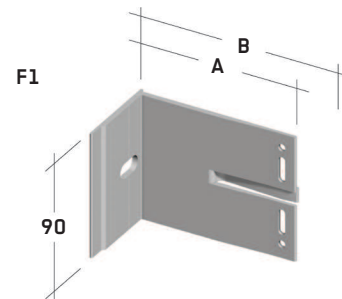


WALL BRACKET F1

Wall bracket F1 is used for vertical fixing on solid walls.

Technical Features and Benefits

- Wind pressure is passed right to the building element - no tensile load on the dowel.
- Each F1 can be used for a fixed point or a sliding point.
- The F1+ is mainly used as an anchor point. It has high load bearing capacity due to its design with a height of 175 mm combined with 2 wall fixing points.
- Dowel spacing of 125 mm for the F1+ makes it possible to fasten to a problematic subgrade.
- Integrated clamp-slide provides 38 mm of adjusting for the L- or T-profiles.
- Made of aluminum EN-AW 6060 T66



Wall Bracket	Throat depth A*	Distance to Wall B
F1.35	35 mm	37 - 75 mm
F1.50	50 mm	52 - 90 mm
F1.80	80 mm	82 - 120 mm
F1.100	100 mm	102 - 140 mm
F1.115	115 mm	117 - 155 mm
F1.135	135 mm	137 - 175 mm
F1.150	150 mm	152 - 190 mm
F1.170	170 mm	172 - 210 mm
F1.185	185 mm	187 - 225 mm
F1.220	220 mm	222 - 260 mm
F1.255	255 mm	257 - 295 mm

* other throat depths on request

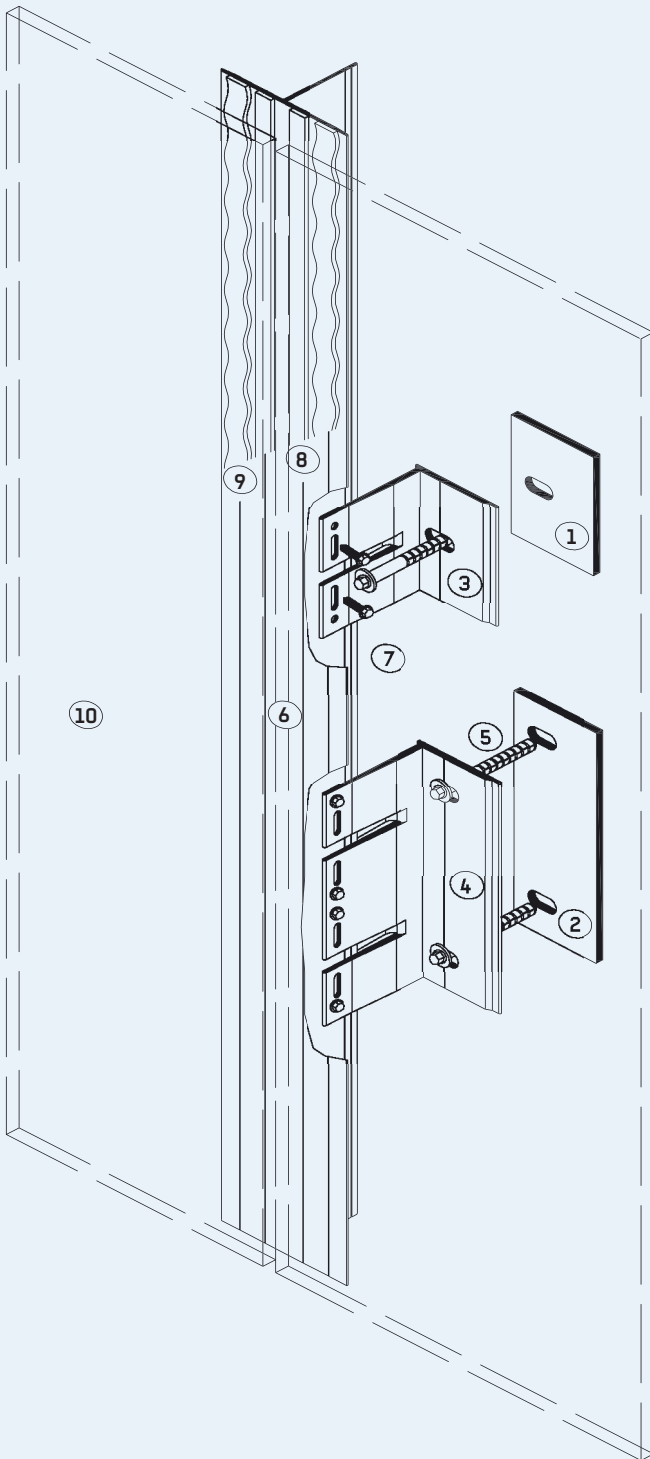
SYSTEM F1.30

Concealed fixing with adhesive system

No.	Description	Article Number
1	Insulator IF1.	I.F1
2	Insulator IF1+	I+F1
3	Bracket F1.	F1.100D11
4	Bracket F1+	F1+100D11
5	Wall Anchor	D-SKTV1000600.VZ
6	T-Profile	A-T12006020
7	self drilling screw \varnothing 4,8 x 19 mm	S-SKT4480190.A2
8	double-sided adhesive tape	
9	permanent elastic glue	
10	Equitone	

It is important that Glue Fixing is carried out in strict accordance with the glue supplier's instructions by certified installers. Please note that recommendations and fixing procedures differ between suppliers. A number of suppliers have systems available to suit the EQUITONE Panels.

Please note that not all glue systems are suitable for all panels on all support frame options. Therefore, it is important to choose the correct glue for the application. As there are many suppliers of glue, we would always advise that the installer only works with certified products, which have been tested with EQUITONE panels.



 **ALLFACE**
Smart Fixing Systems

ALLFACE Befestigungstechnologie GmbH
A-2544 Leobersdorf, Ared Straße 29, Büro 222

T +43 (0)2256 62518

F +43 (0)2256 62518 18

E office@allface.com

www.allface.com