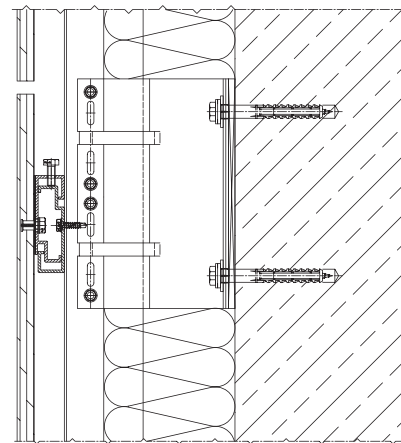
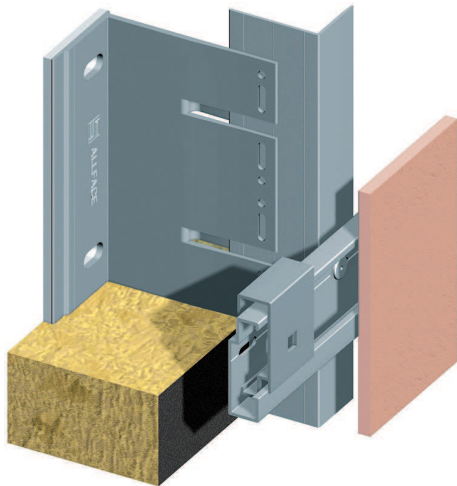


ALLFACE SYSTEM F1.40 FOR ETERNIT FACADE ELEMENTS

CONCEALED FIXING WITH UNDER-CUT ANCHORS

Facade panels can be fastened mechanically and concealed with the help of undercut anchors. Hanger elements are put into the undercut drill hole on the back of the panel with special dowels. Each façade panel is fastened with at least four individual hanger elements.

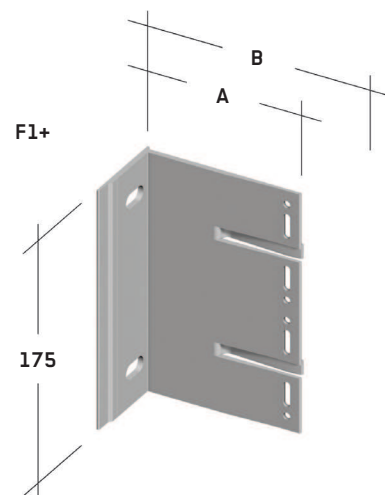
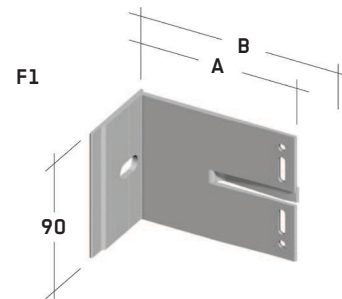


WALL BRACKET F1

Wall bracket F1 is used for vertical fixing on solid walls.

Technical Features and Benefits

- Wind pressure is passed right to the building element - no tensile load on the dowel.
- Each F1 can be used for a fixed point or a sliding point.
- The F1+ is mainly used as an anchor point. It has high load bearing capacity due to its design with a height of 175 mm combined with 2 wall fixing points.
- Dowel spacing of 125 mm for the F1+ makes it possible to fasten to a problematic subgrade.
- Integrated clamp-slide provides 38 mm of adjusting for the L- or T-profiles.
- Made of aluminum EN-AW 6060 T66

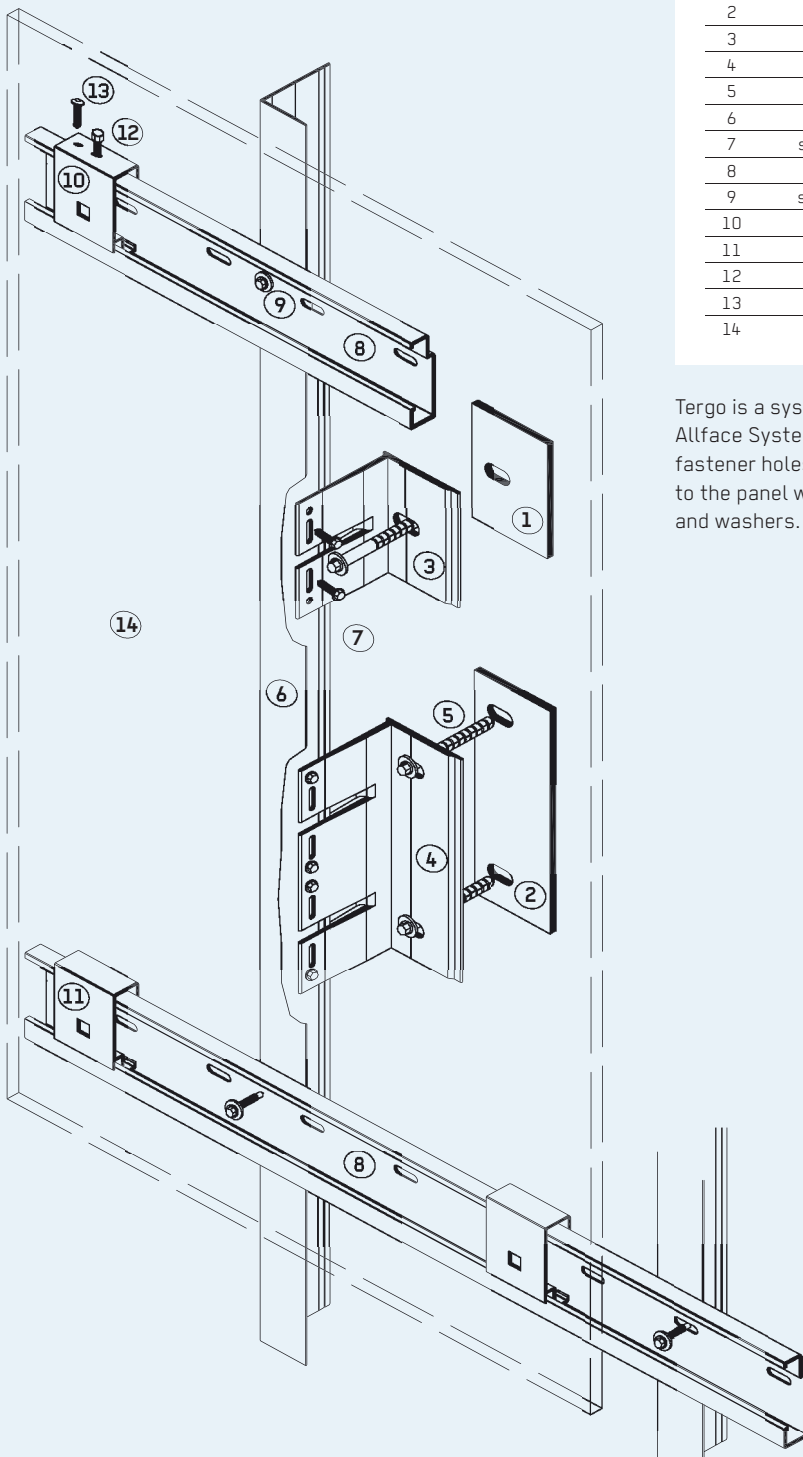


Wall Bracket	Throat depth A*	Distance to Wall B
F1.35	35 mm	37 - 75 mm
F1.50	50 mm	52 - 90 mm
F1.80	80 mm	82 - 120 mm
F1.100	100 mm	102 - 140 mm
F1.115	115 mm	117 - 155 mm
F1.135	135 mm	137 - 175 mm
F1.150	150 mm	152 - 190 mm
F1.170	170 mm	172 - 210 mm
F1.185	185 mm	187 - 225 mm
F1.220	220 mm	222 - 260 mm
F1.255	255 mm	257 - 295 mm

* other throat depths on request

SYSTEM F1.40

Attachment methods for undercut anchors - tergo secret fix



No.	Description	Article Number
1	Insulator IF1.	IF1
2	Insulator IF1+	I+F1
3	Bracket F1.	F1.100D11
4	Bracket F1+	F1+100D11
5	Wall Anchor	D-SKTV1000600.VZ
6	L-Profile	A-L04006020
7	self drilling screw Ø 4,8 x 19 mm	S-SKT4480190.A2
8	carrier rail	A-C06602020.LL
9	self drilling screw Ø 5,5 x 22 mm	S-SKT0550220.16.A2
10	C-Hook adjustable	A-C06602220.50.21
11	C-Hook	A-C06602220.50.20
12	adjusting screw M6 x 30 mm	S-SKT0600300.A2.10
13	self tapping screw Ø 4,8 x 25 mm	S-LK0480250.A2
14	Equitone	

Tergo is a system for secret fixing EQUITONE panels (12mm) to the Allface System F1.40. The panels have factory drilled undercut fastener holes in the back of the panel. Hanging hooks are attached to the panel with either special rivets and spacers or undercut bolts and washers.

ALLFACE
Smart Fixing Systems

ALLFACE Befestigungstechnologie GmbH
A-2544 Leobersdorf, Ared Straße 29, Büro 222

T +43 (0)2256 62518

F +43 (0)2256 62518 18

E office@allface.com

www.allface.com